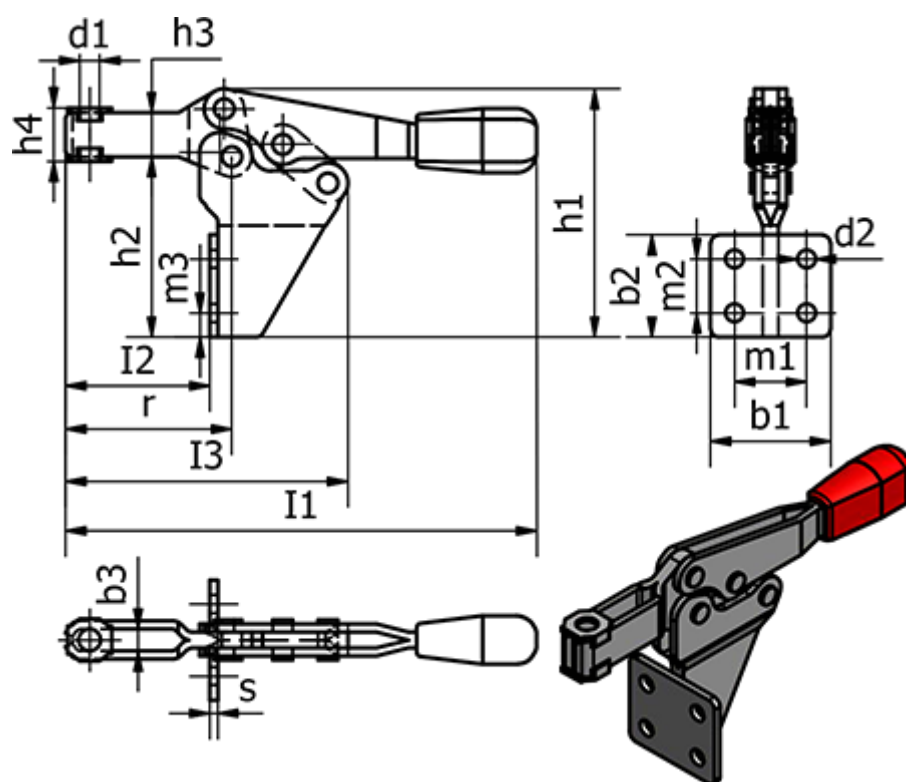


Article number: 208202230MF

Description: E+G horizontal clamps
GN 820.2-230-MF

Measures



b1 = 43	h4	= 35	r	= 70
b2 = 40	Holding force in N	= 1700	s	= 3
b3 = 8.5	l1	= 195	Wight (g)	= 400
d1 = M8	l2	= 52		
d2 = 6.5	l3	= 113		
h1 = 102	m1	= 28.5		
h2 = 69	m2	= 24		
h3 = 18	m3	= 8		